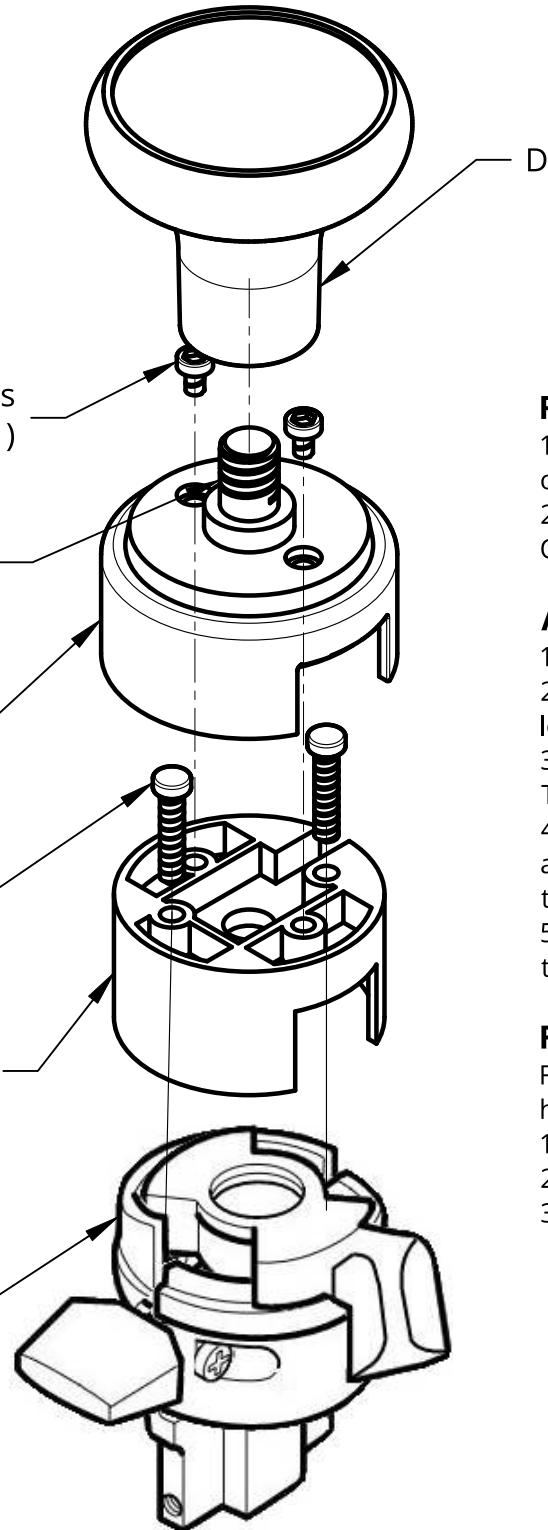




| No. | DESCRIPTION | QTY in Kit |
|-----|----------------------|------------|
| A | Thread-on Shift Knob | 1 |



Adapter to Base Screws
(Included with Adapter)

1/2"-13
Thread

Gearshift Adapter (Not Included)
UP #70589B - 13/15/18 Speed
UP #70799B - 9/10 Speed

Vehicle's OE Gearshift Knob
Mounting Screws

Gearshift Adapter Base (Not Included)
(13/15/18 Speed Shown)

Vehicle's OE Gearshift
(13/15/18 Speed Shown)

Remove Original Gearshift Knob:

1. Remove the cover, remove 2 long screws, and remove original gearshift knob. Keep the long OE knob screws.
2. Be careful not to lose any components from the inside of the OE gearshift and splitter valve.

Assembly of 1/2"-13 Gearshift Adapter:

1. Remove the new top adaptor (A) from the adaptor base (B).
2. Screw the adaptor base (B) onto the OE gearshift using the long OE knob screws.
3. Slide the top adaptor (A) onto the adaptor base (B). Tighten the top to the bottom adaptor base with the 2 screws (C).
4. Apply a few drops of threadlocker to the 1/2"-13 thread, and install the thread-on shift knob (D). Be sure to orientate the knob in the desired position.
5. Avoid rotation of the new gearshift knob for 24 hours so threadlock will fully cure.

Future Disassembly Tip:

- For instances where the shift knob (D) cannot be unscrewed by hand due to threadlocker material .
1. apply localized hot air with heat gun to 1/2-13 thread area
 2. use cloth or tape to protect finish.
 3. rotate with plyers if necessary.

Product Name: Thread-On Type
Shift Knob With Mounting Adaptor
For Eaton Fuller Style
9/10/13/15/18 Shifter

Rev No. 12282021