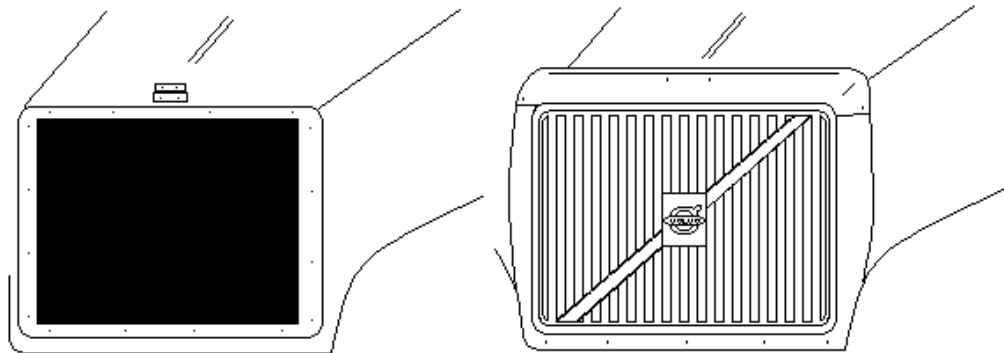


# Stainless Steel Accessories

## Bug and grill deflector kit installation instructions

11/19/2020

1. This kit should include five separate pieces, bug deflector, grab handle, left and right vertical grill deflectors, and bottom trim strip.
2. Remove grill from truck.



3. Remove protective plastic from mounting tabs and from around bolt hole locations.
4. Loosely attach grab handle to allow for later adjustment.
5. Centre bug deflector within the grill insert and mark inner two hole locations ensuring that bug deflector is firmly against hood.
6. Using a 7/32 drill bit, drill marked locations. Fasten bug deflector loosely to truck using supplied hardware.
7. Attach side grill deflector to bug deflector loosely to allow for adjustment. Note: side grill deflectors are installed under the bug deflector and bottom strip.
8. Hold bottom trim strip in place and ensure that all parts line up. Mark and drill the hole locations where the trim strip overlaps the side grill deflectors. Using supplied hardware, install bottom trim strip.
9. Drill remaining mounting holes on bug deflector working from the centre to the outside. Fasten to truck using supplied hardware.
10. Drill and fasten side grill deflectors.
11. Drill remaining holes along bottom trim strip and the outer mounting holes of the side grill deflectors. Install hardware and tighten all hardware.
12. The grab handle hole locations can now be drilled using a 9/32 drill bit and fastened to the truck using supplied hardware.
13. Re-install grill removed in step 2 and peel protective coating from side grill, bottom trim strip and bug deflector.



Page 1 of 1

11192020

*Reliable. Hardworking. Quality Products.*